

SL-100 ELECTRIC BOLT ACTION LOCK INSTALLATION MANUAL

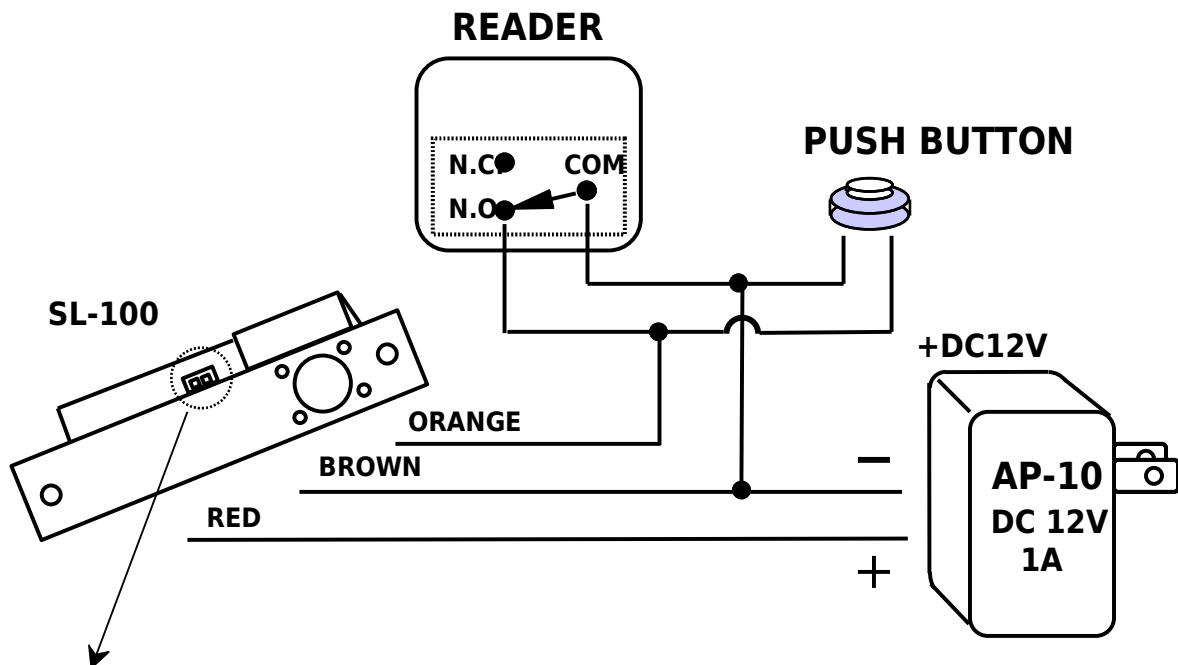
- POWER SUPPLY:DC12V 1A.
- OPERATION CURRENT 900mA, HOLDING CURRENT 360mA .
- FAIL-SAFE TYPE (POWER LOCK)
- DOOR SENSOR:N.C.(SL-100A),N.C. & N.O.(SL-100B)
- OPERATION DELAY TIME:0 SEC. 2.5SEC. 5SEC. 9SEC.
- BUILT-IN DELAYED EGRESS CONTROL POINT
- FACE PLATE:200mm(L)x32mm(W)x40mm(D)
- STRIKE PLATE:90mm(L)x26mm(W)x2mm(D)

SL-100A (5 PIN)

BROWN : GND
RED : + DC12V
ORANGE : PUSH BUTTON
YELLOW : DOOR POSITION SENSOR(N.C.)
GREEN : DOOR POSITION SENSOR(COM.)

SL-100B (6PIN)

BROWN : GND
RED : + DC12V
ORANGE : PUSH BUTTON
YELLOW : DOOR POSITION SENSOR(N.C.)
GREEN : DOOR POSITION SENSOR(COM.)
BLUE : DOOR POSITION SENSOR(N.O.)

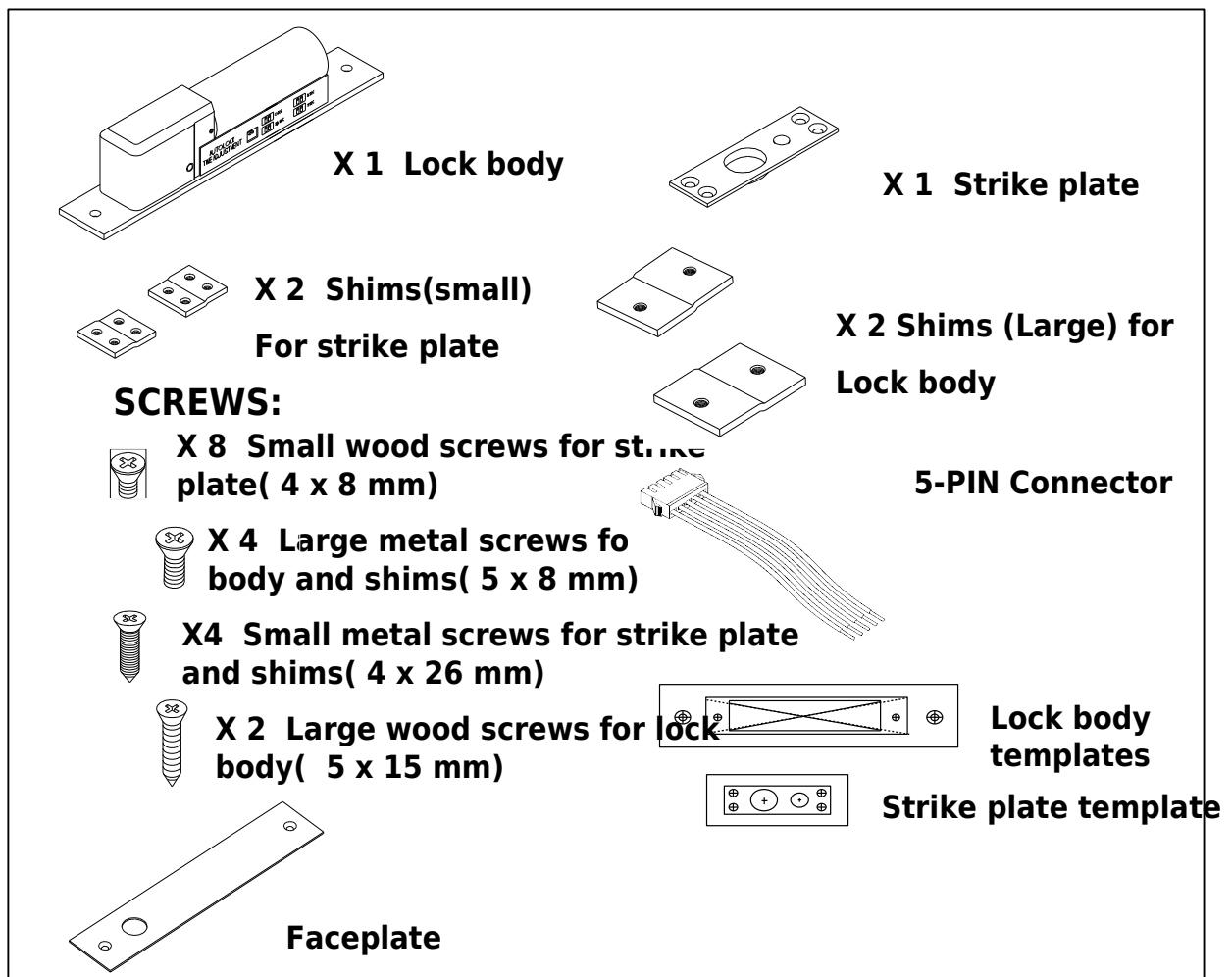


Setting door lock delay timer :

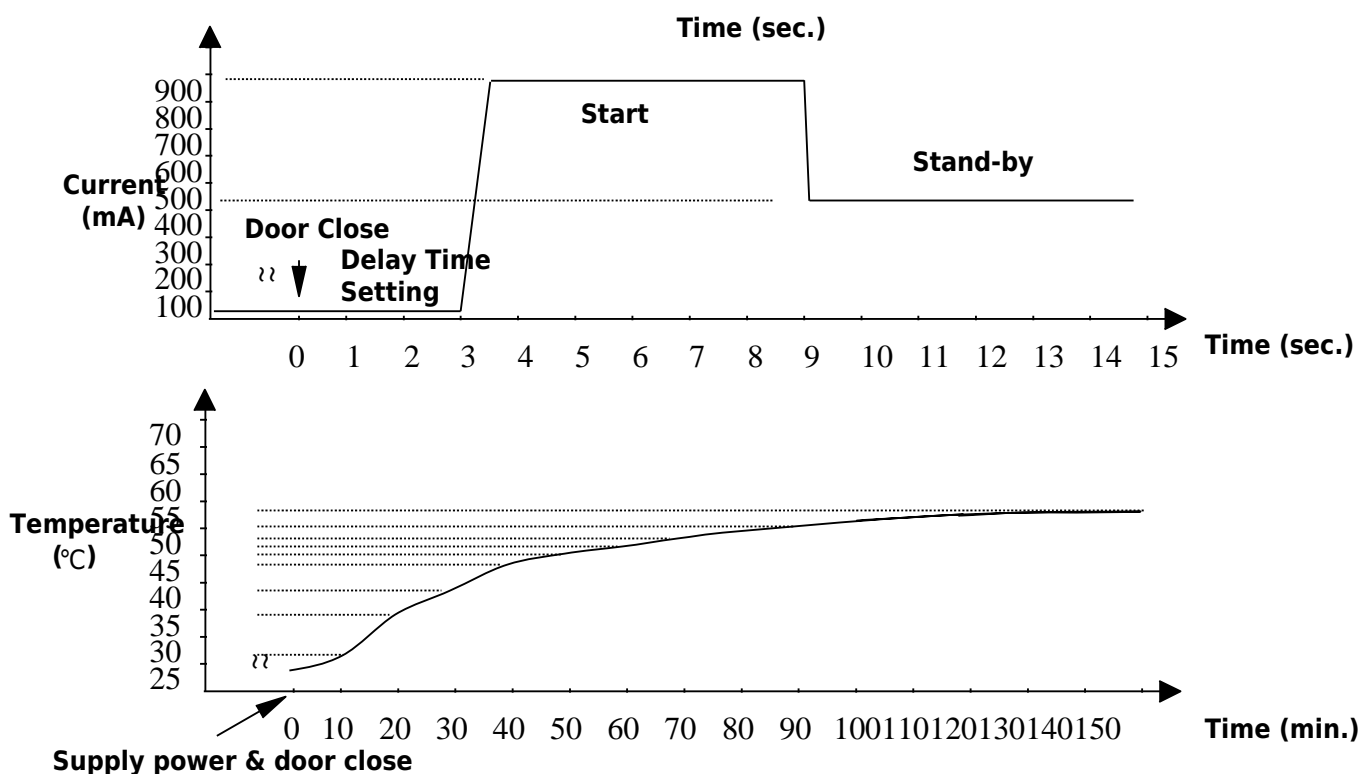
0 SEC. 5 SEC.
 2.5 SEC. 9 SEC.

※ Please switch on the appliance again to validate any adjustment of DIP

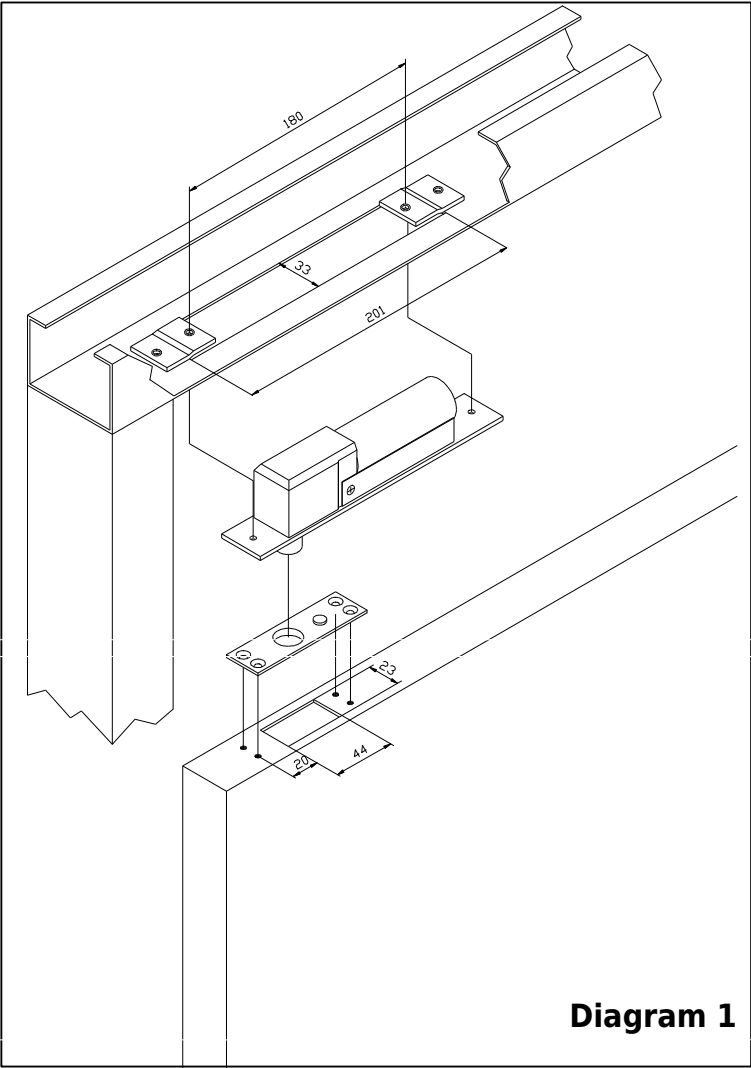
Accessories:



Current and Temperature Chart:



Installation:



Instruction:
Diagram 1: Dimensions
Diagram 2: For double door mounting
Diagram 3: For single door mounting
Diagram 4: For vertical mounting
Important-For vertical mounting, wires must come out the top of the unit.

Diagram 2

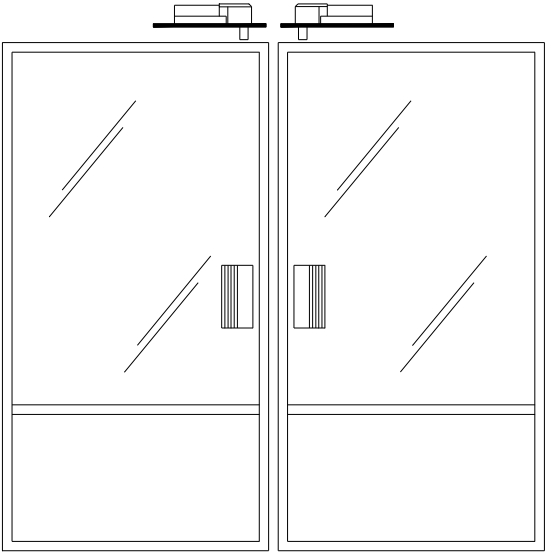


Diagram 3

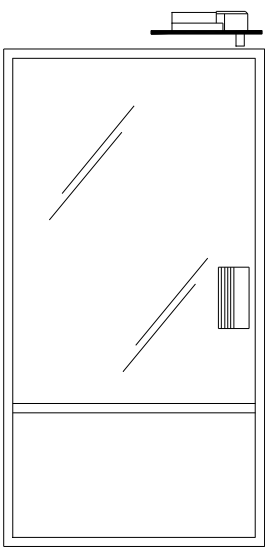
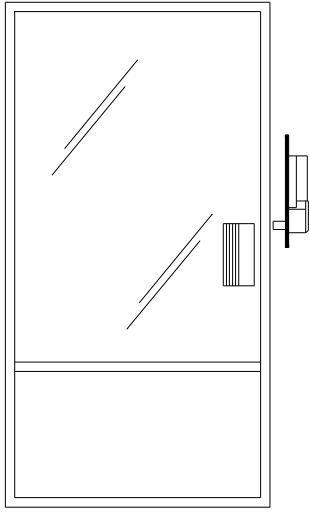


Diagram 4



For double doors

For single doors

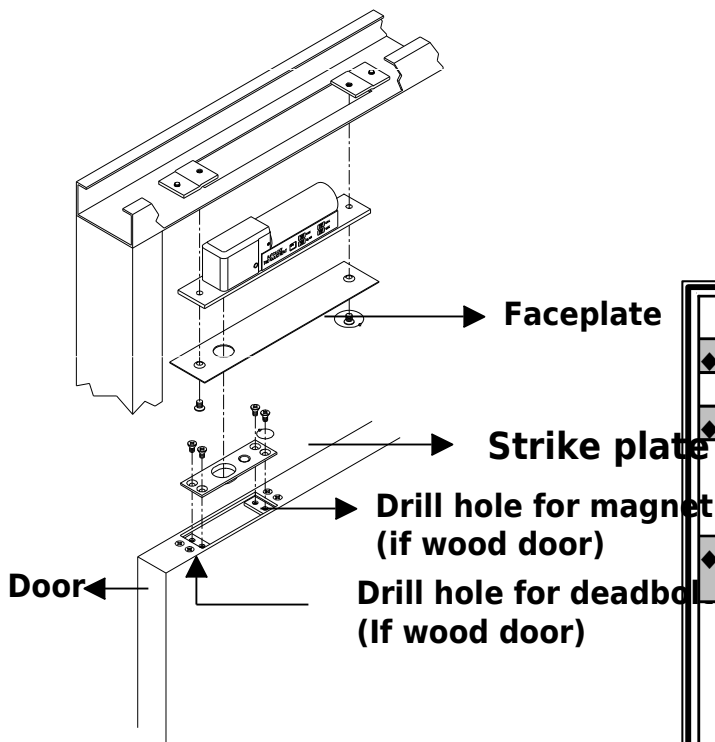
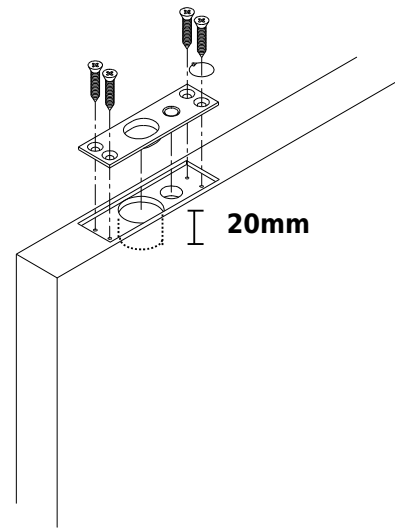
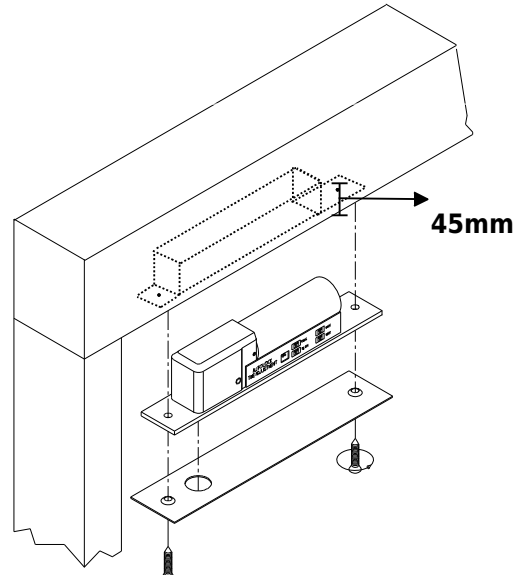
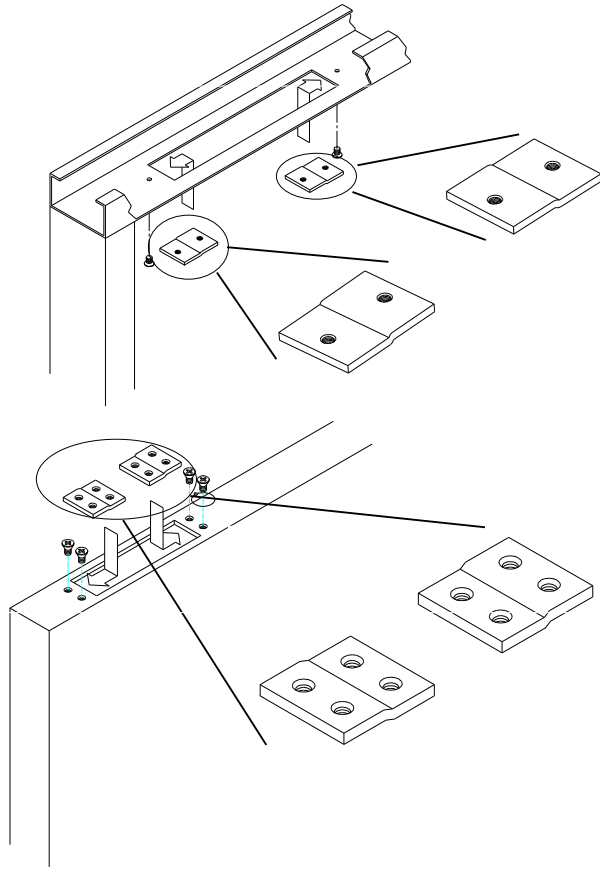
For single doors

Installation:

For hollow metal doors:

Please make sure the correct direction of the shims when mounted

For wood doors:



Question & Answer	
◆	The lock is hot? The operating temperature of the lock is normally within 55°C.
◆	No operation after installation? 1.Please check power supply. 2.Please check if the direction of the template is being installed correctly 3.Please check the connection points(N.O or N.C)
◆	Lock will open when force is applied on the reader (eg. Hitting hard or vibrating the reader). ? 1.Please check all the connections . 2.Reader's N.C points might strike immediately when force is being applied on it this eventually causes the fail-safe type of lock to open when sudden power cut occured. Please refer to page 1 for wiring to prevent such case happen.